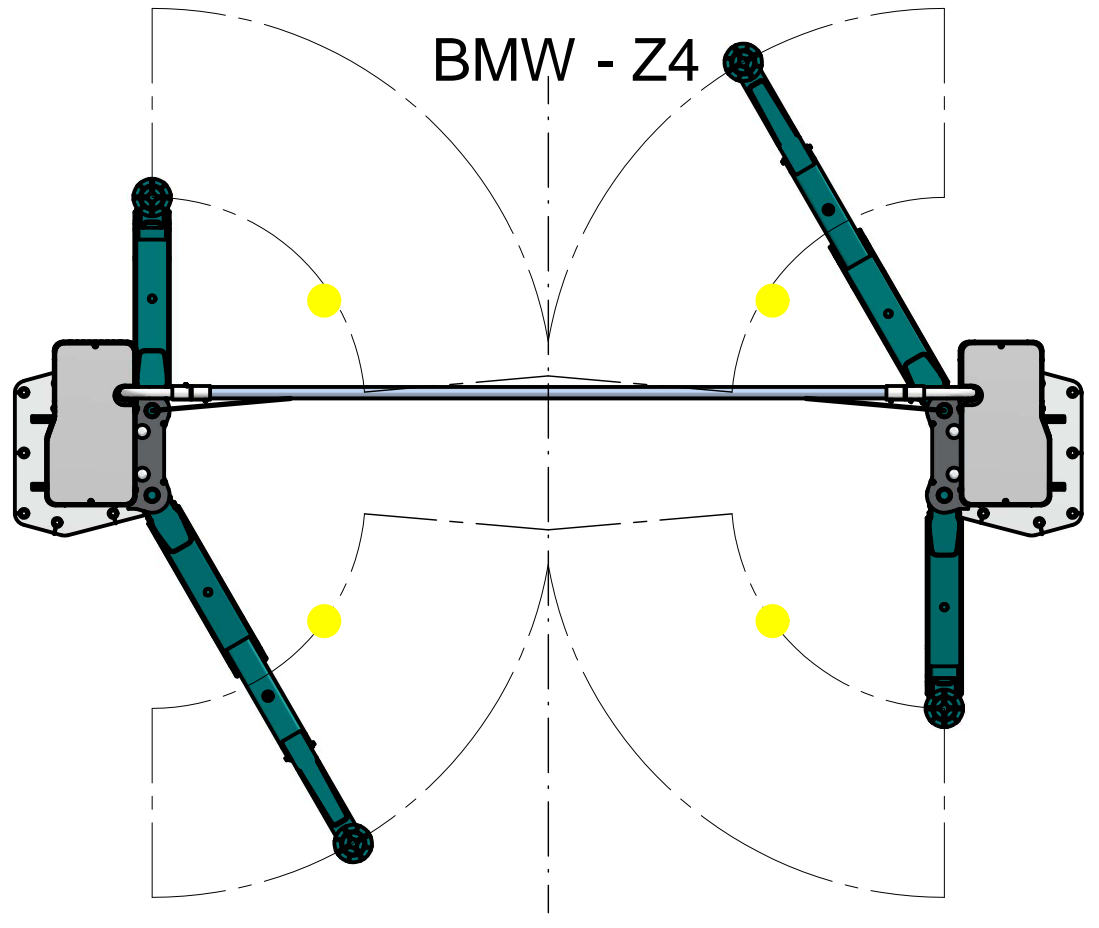
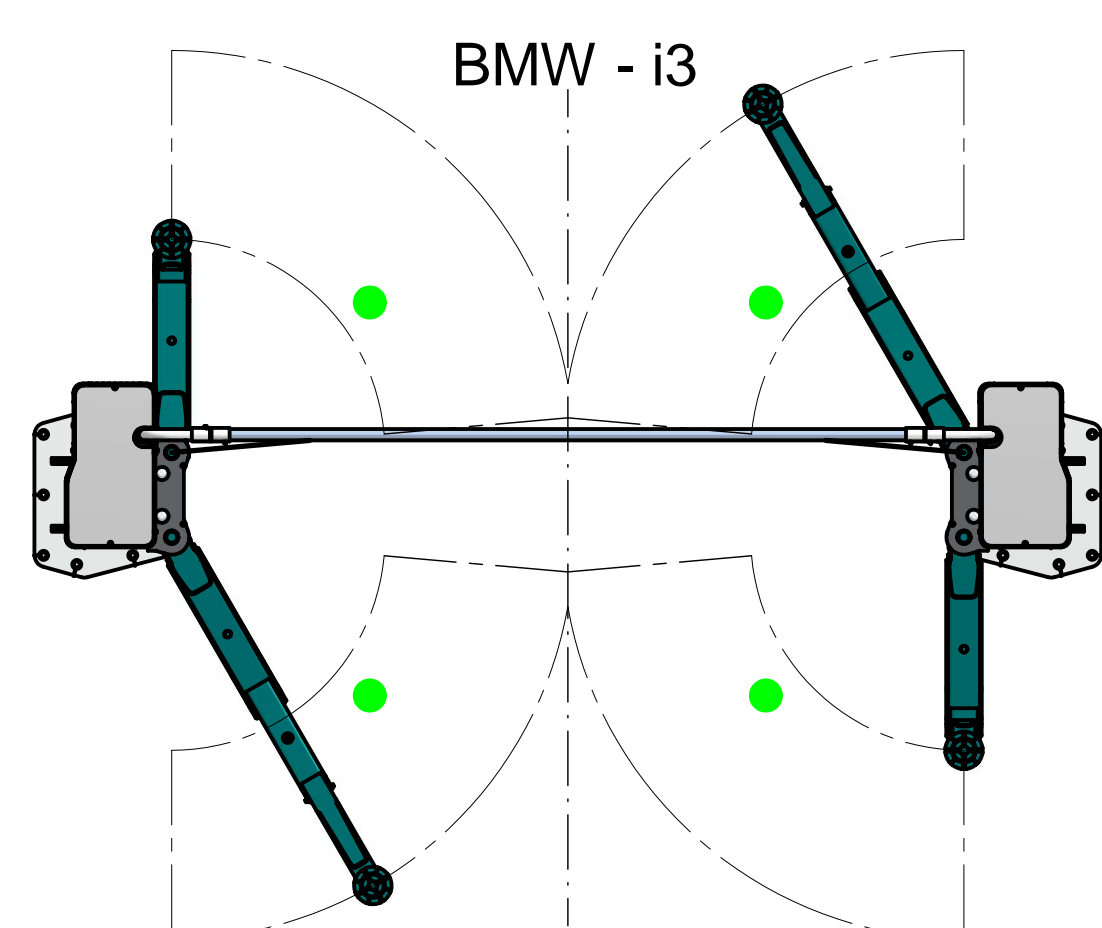


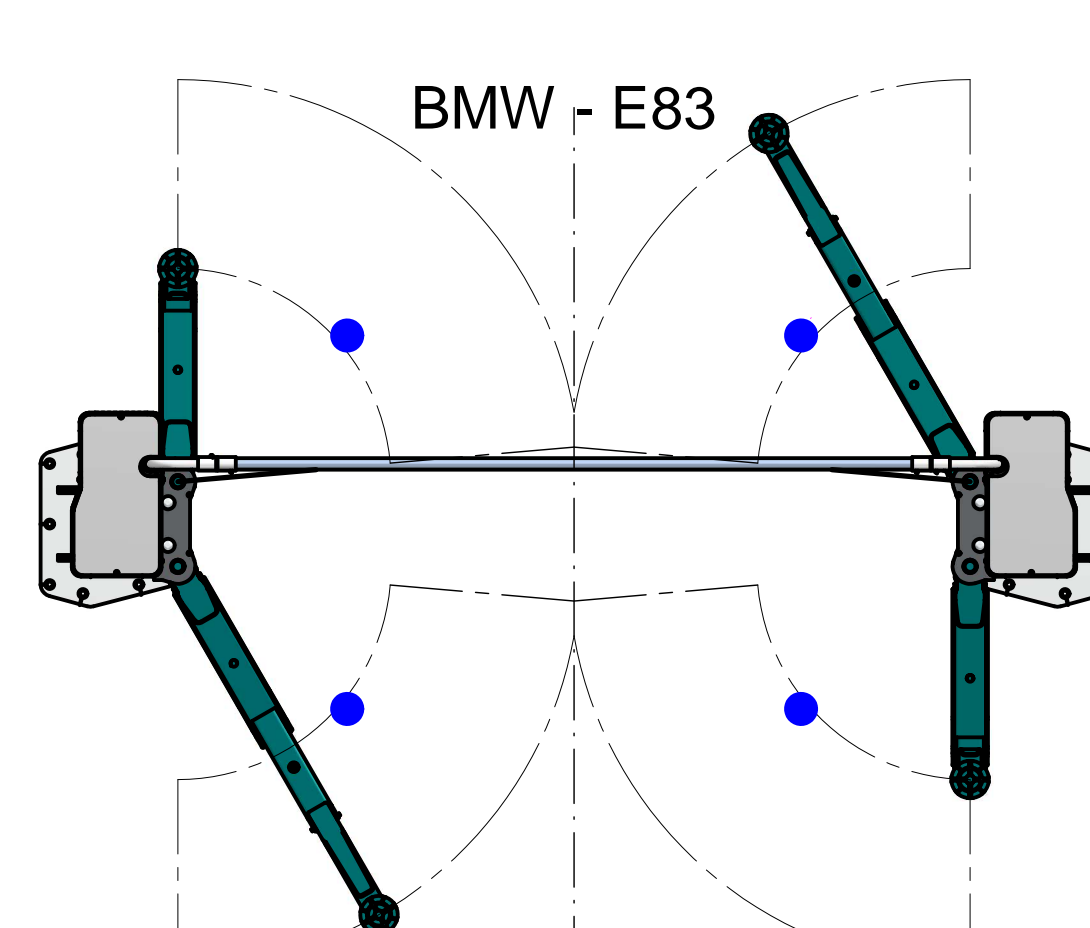
SMART



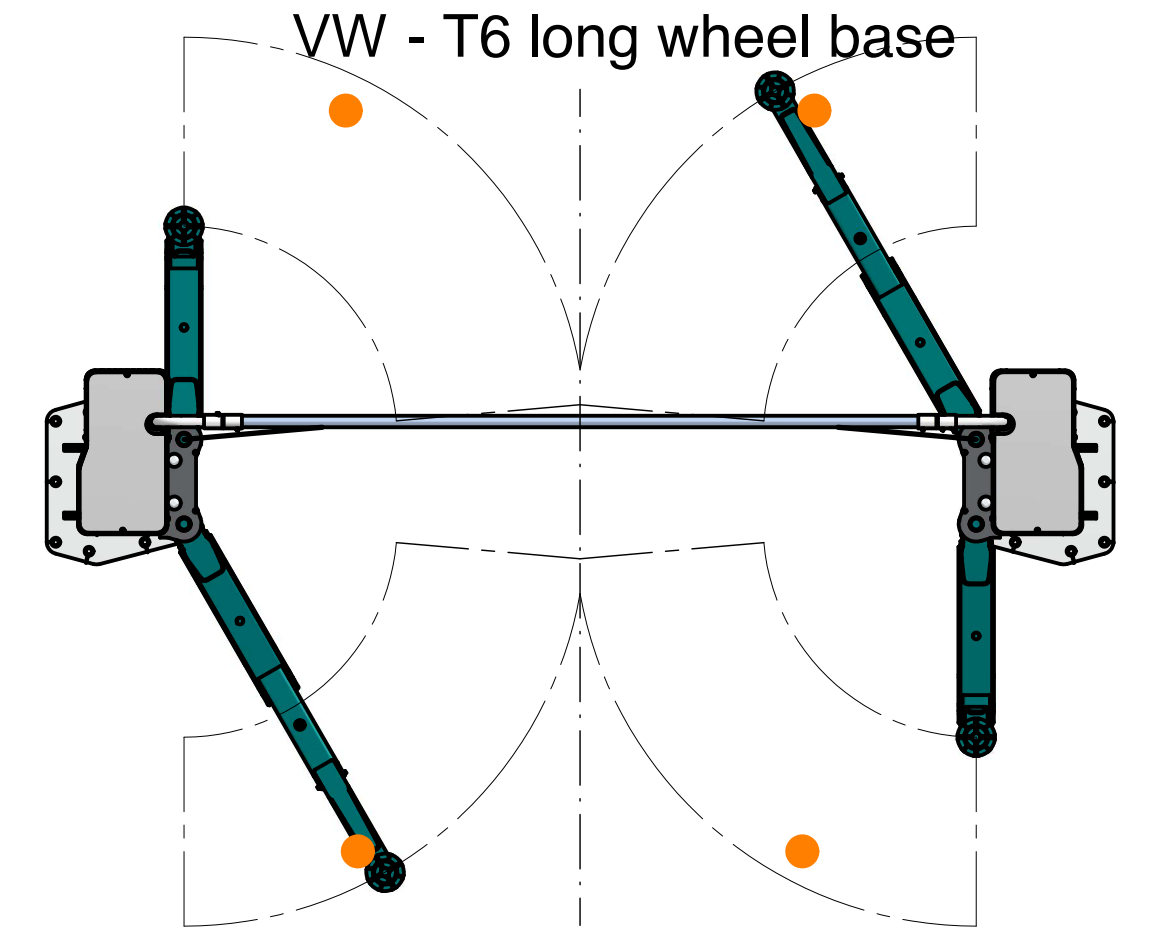
BMW - Z4



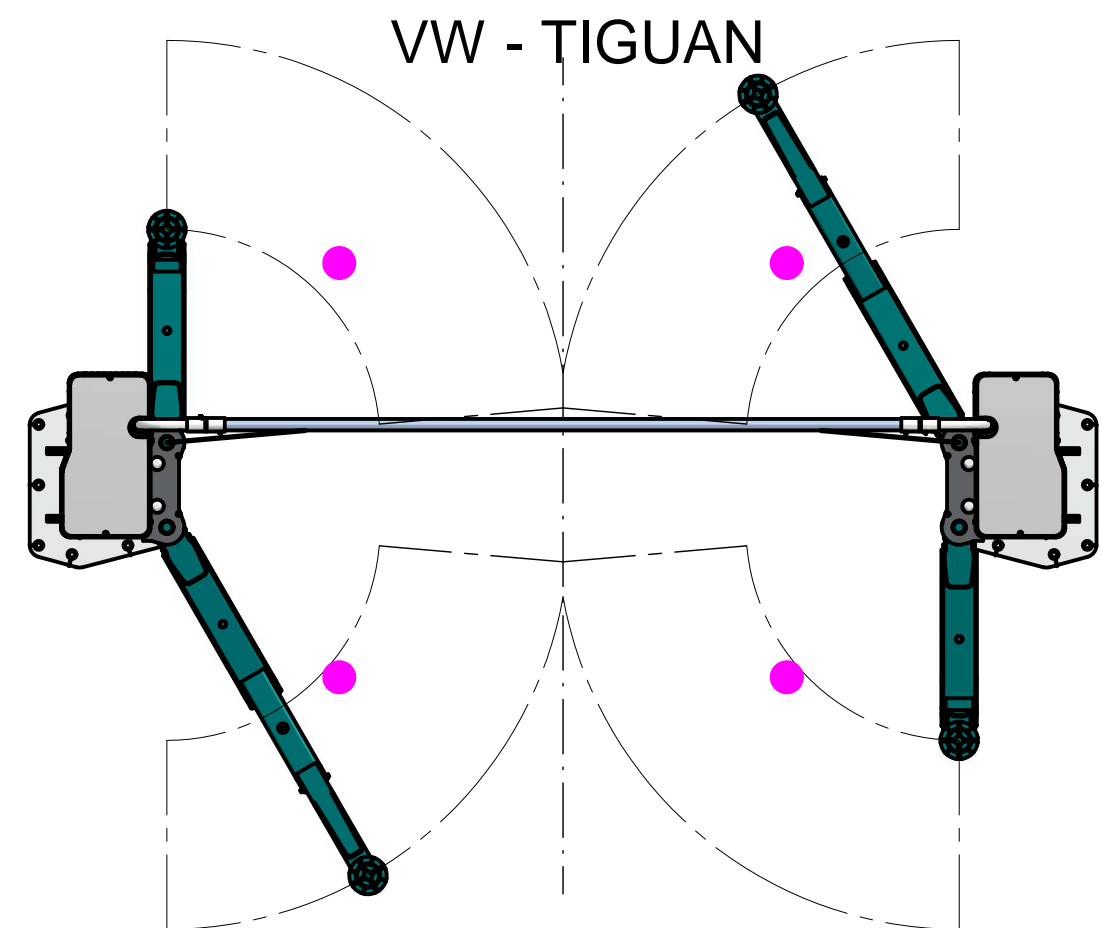
BMW - i3



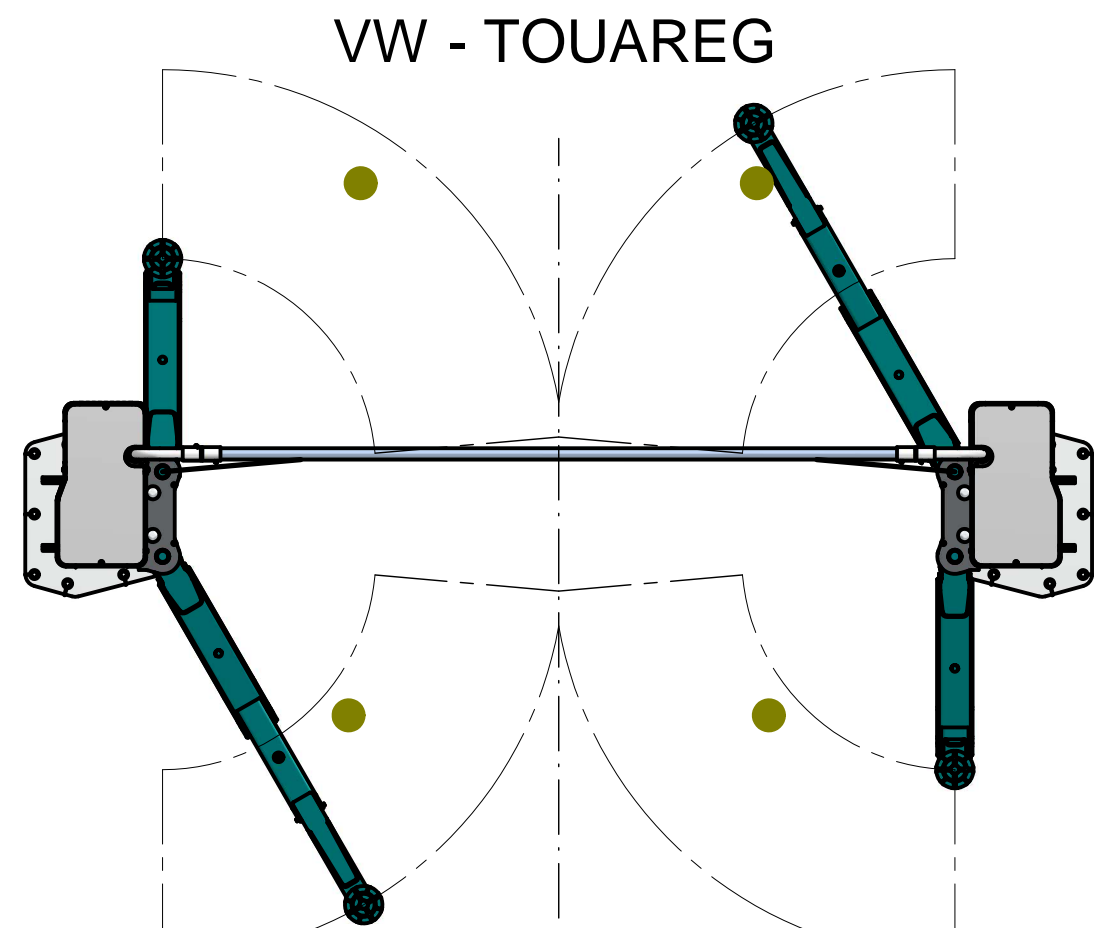
BMW - E83



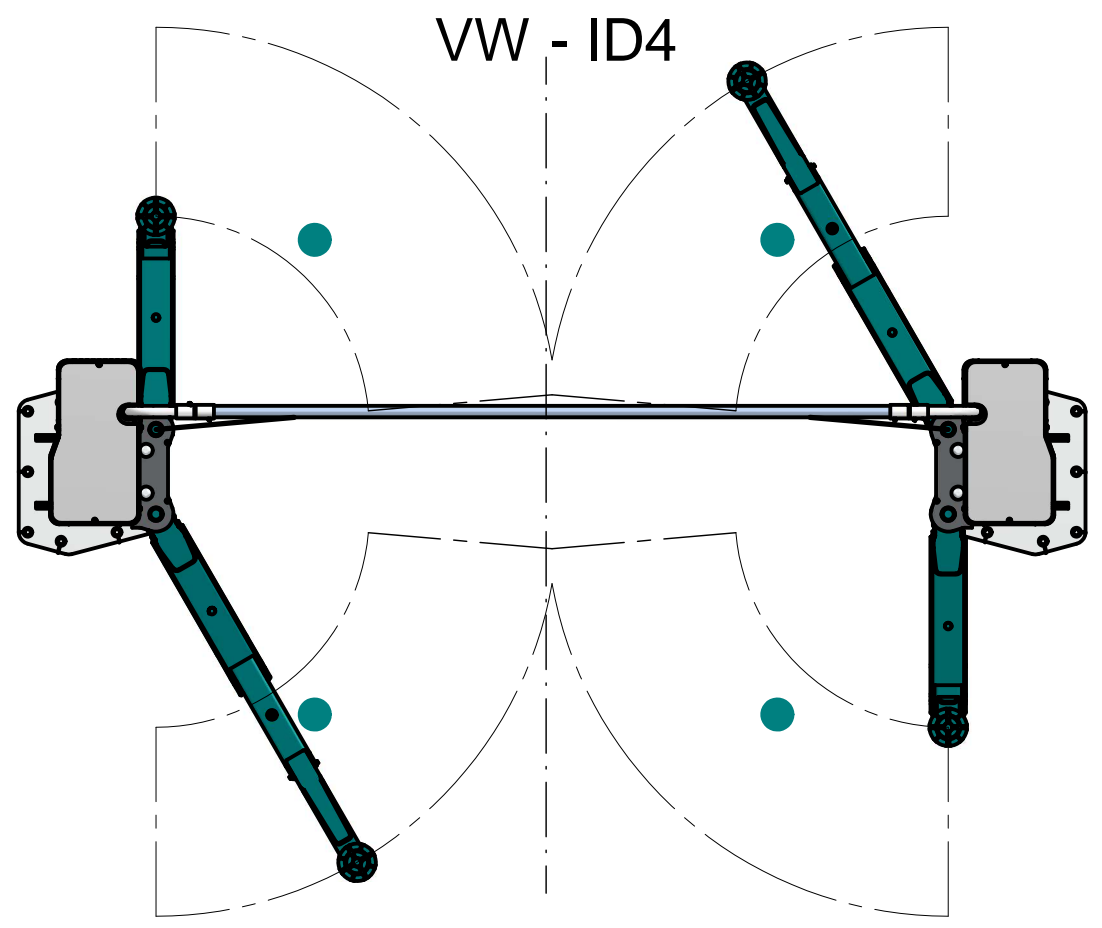
VW - T6 long wheel base



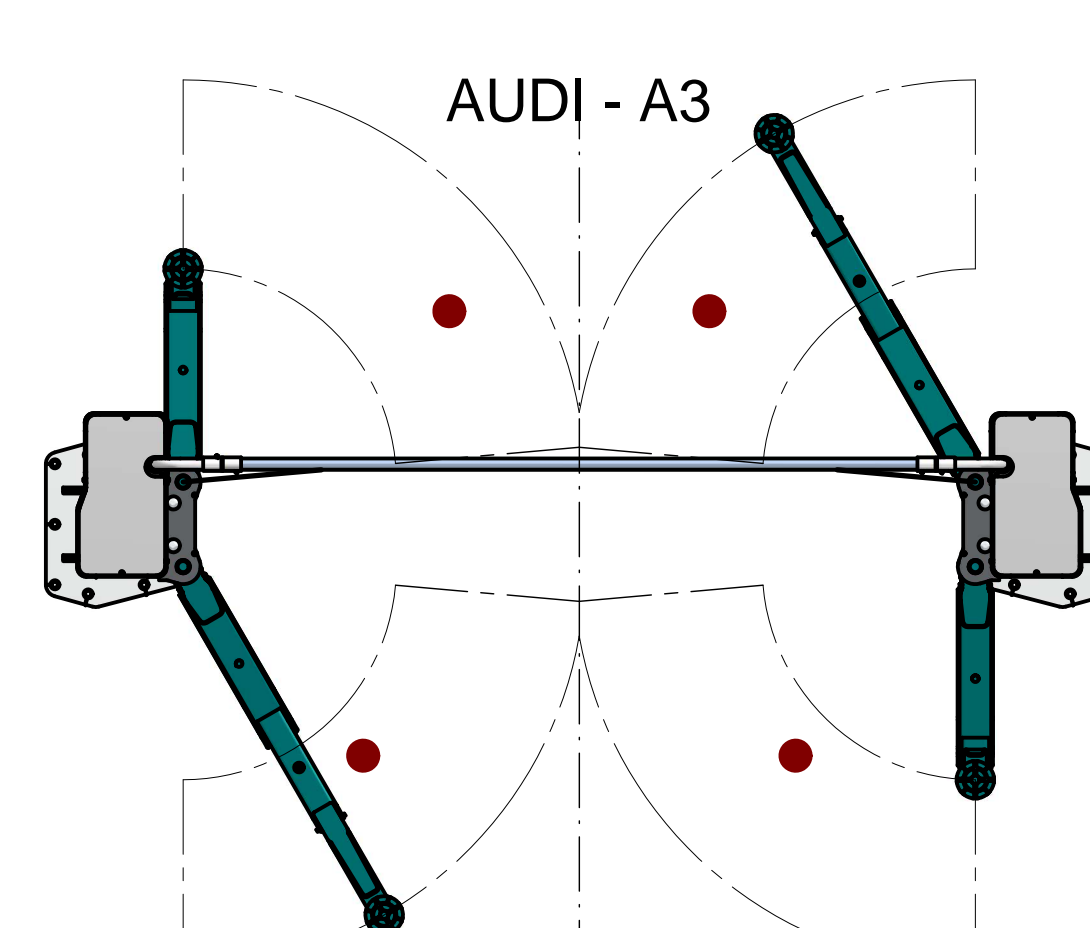
VW - TIGUAN



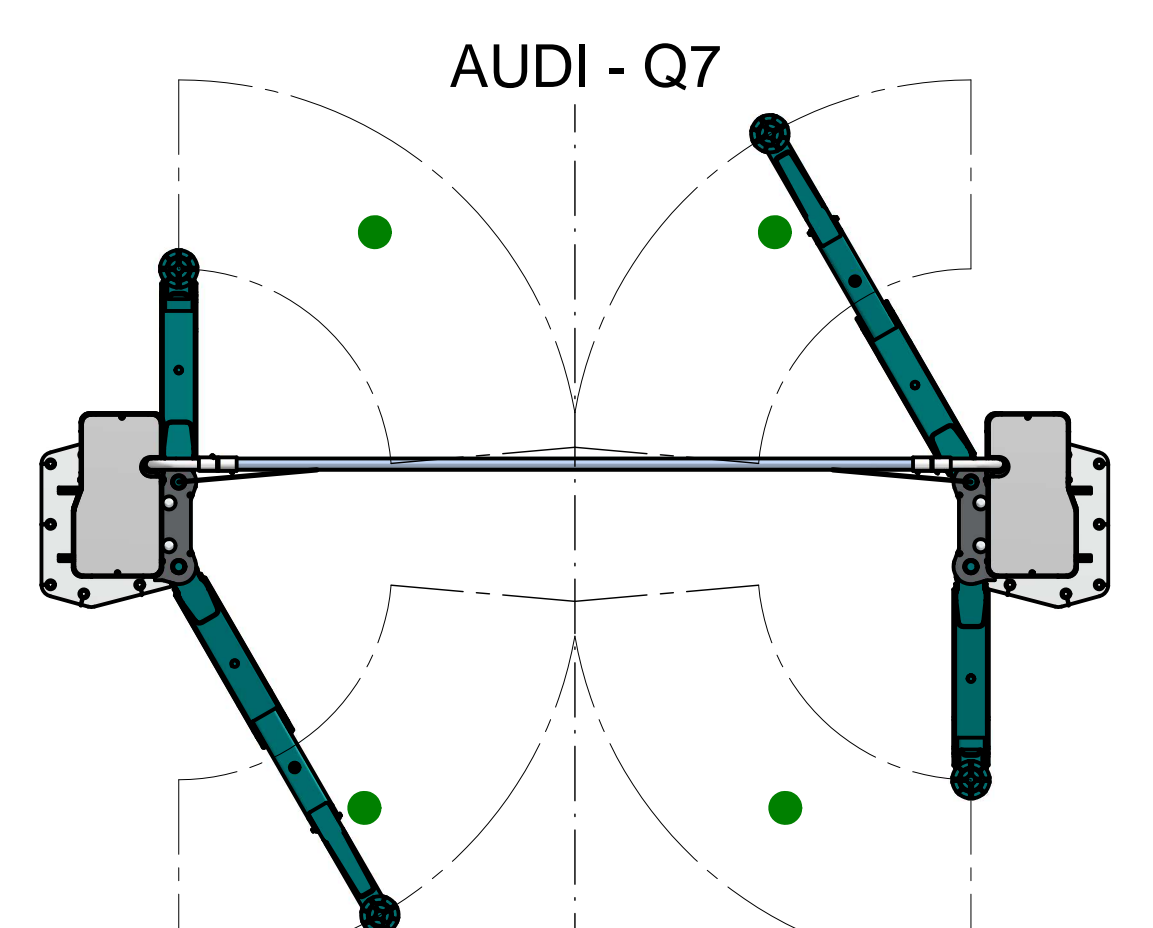
VW - TOUAREG



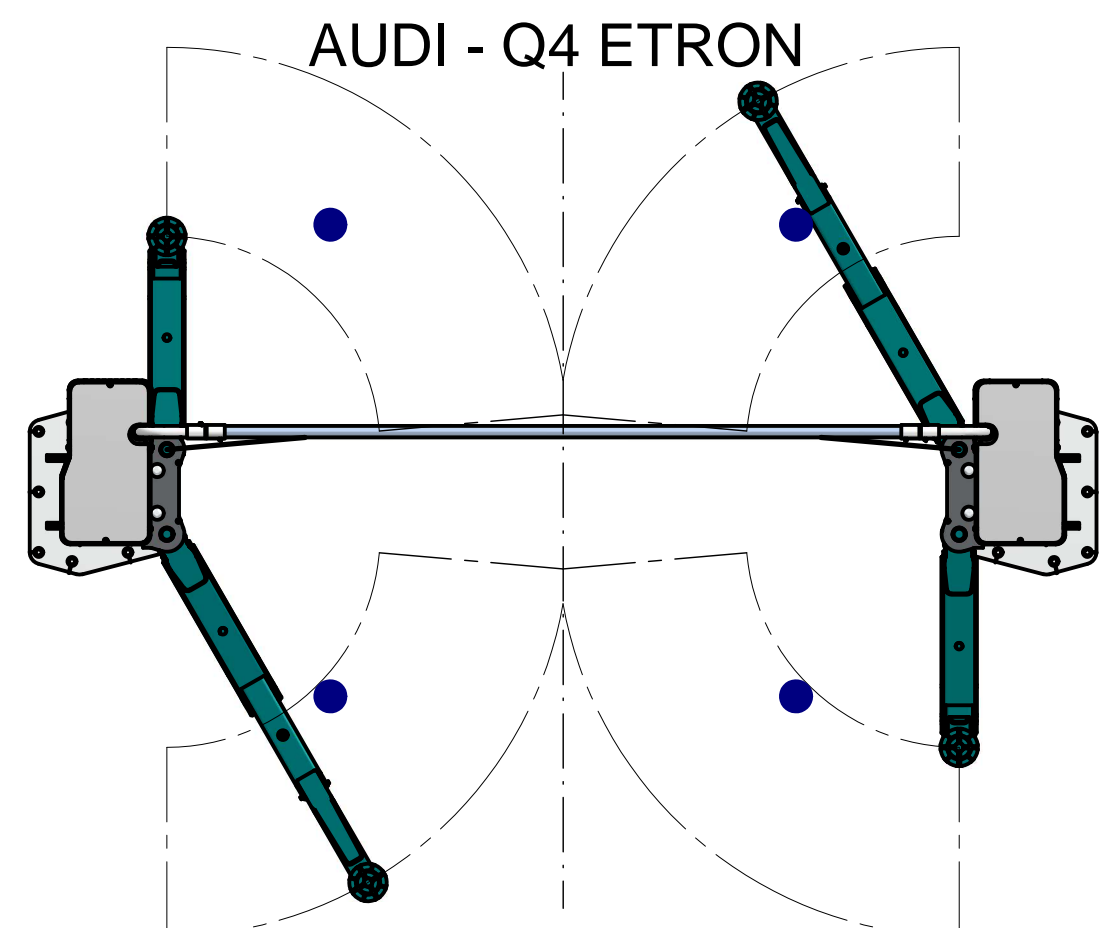
VW - ID4



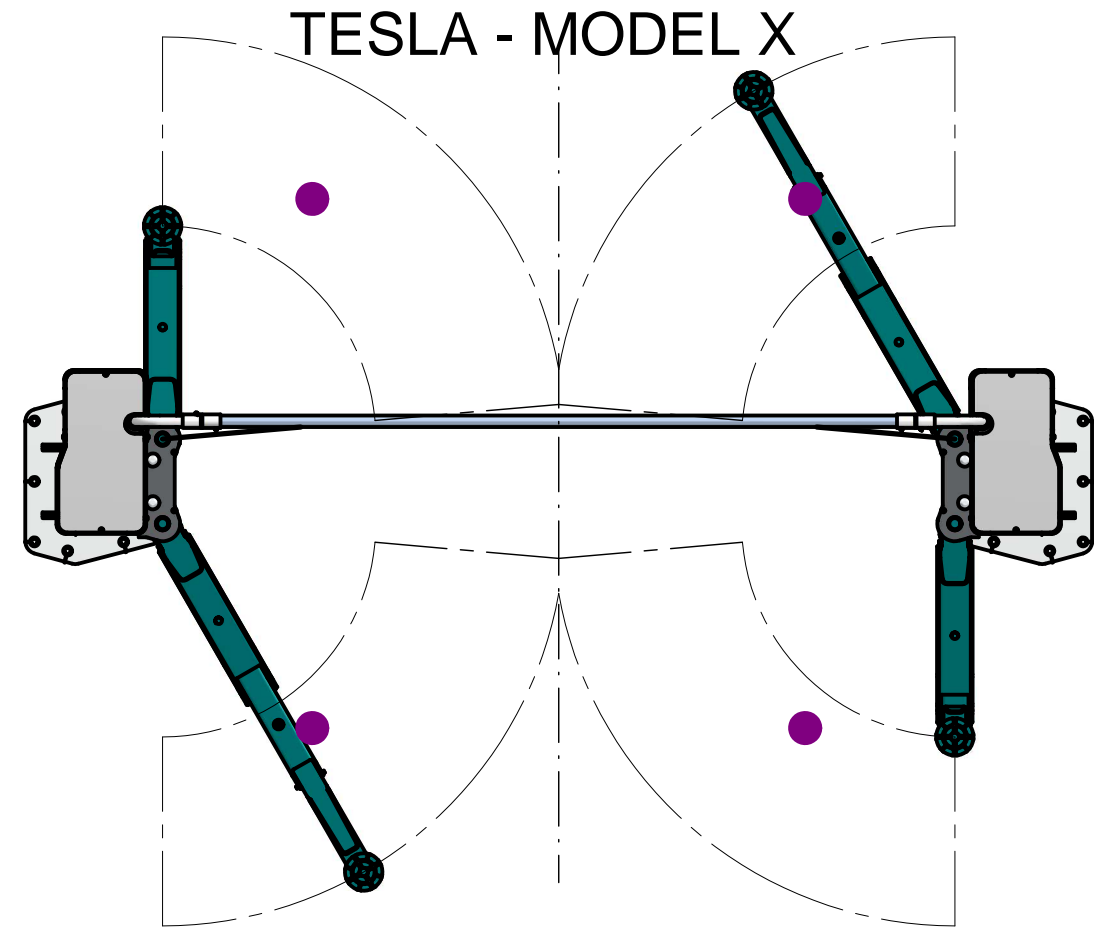
AUDI - A3



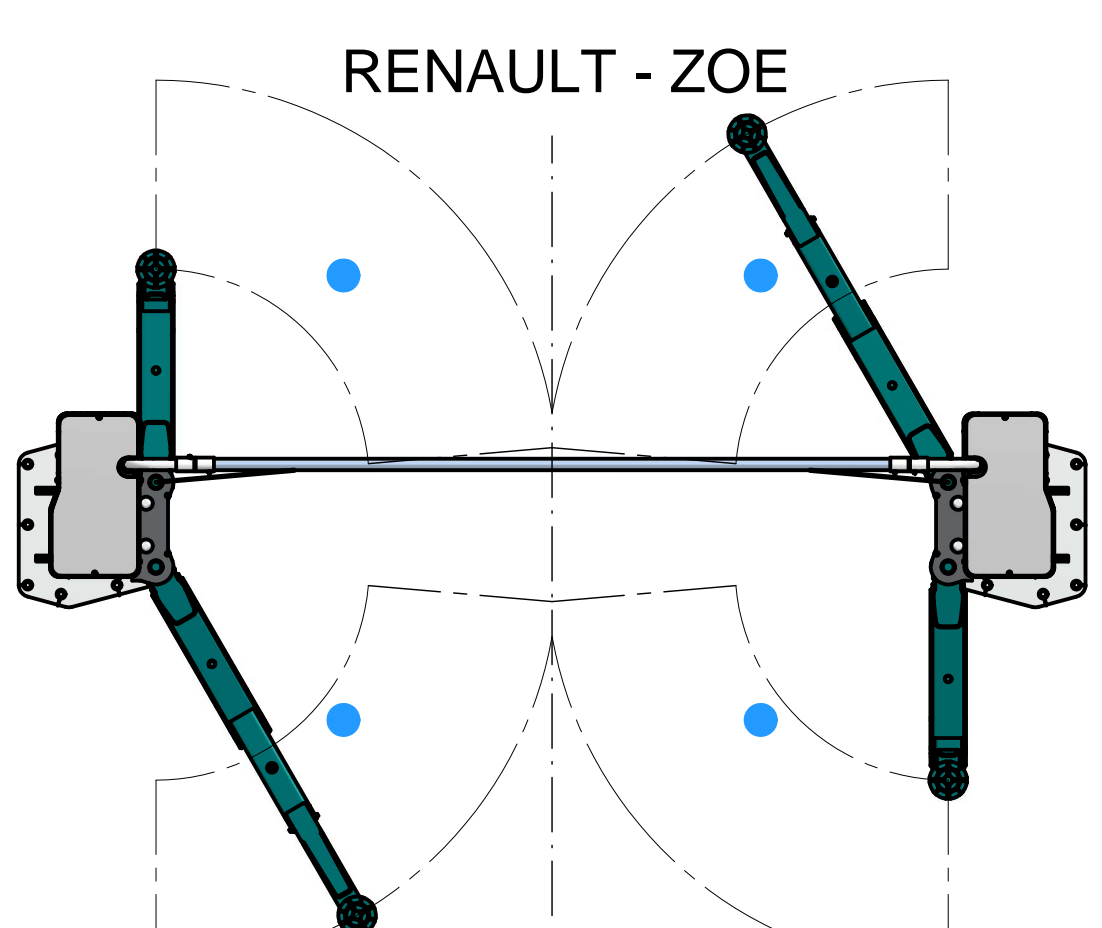
AUDI - Q7



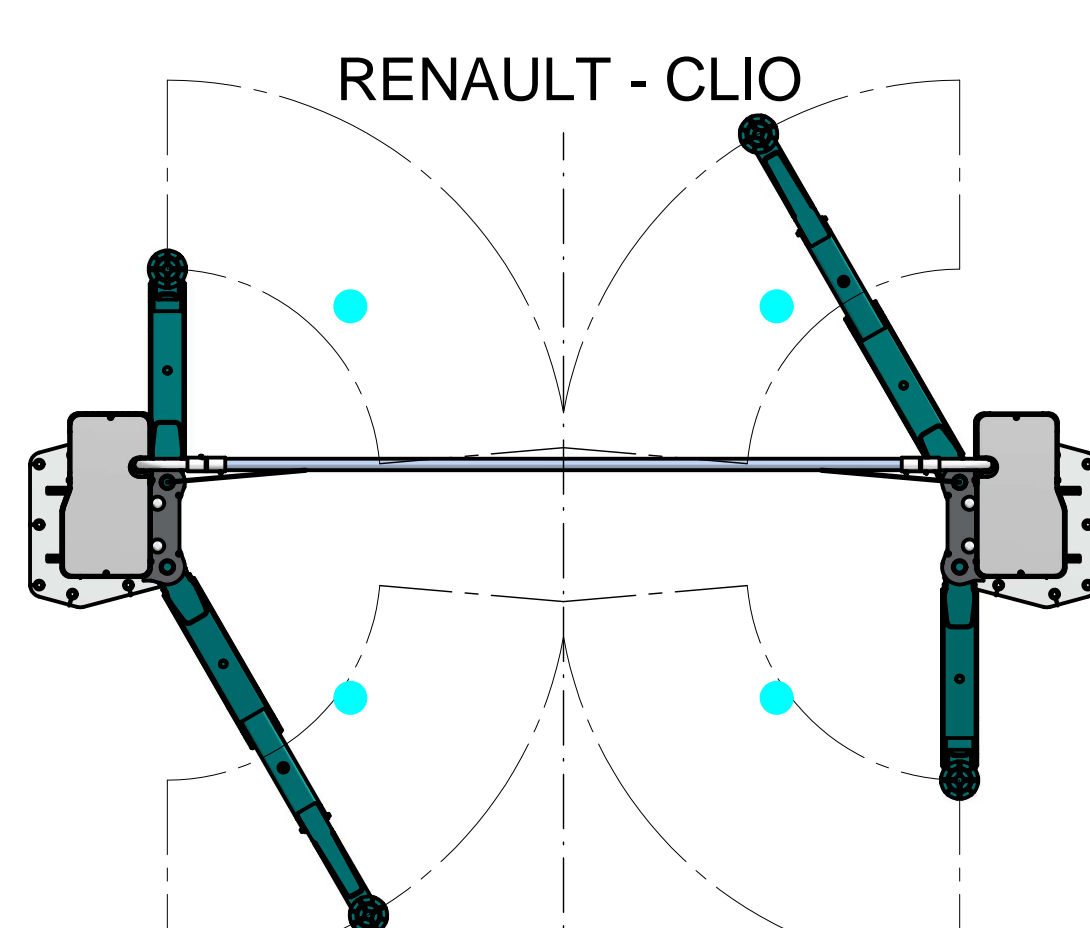
AUDI - Q4 ETRON



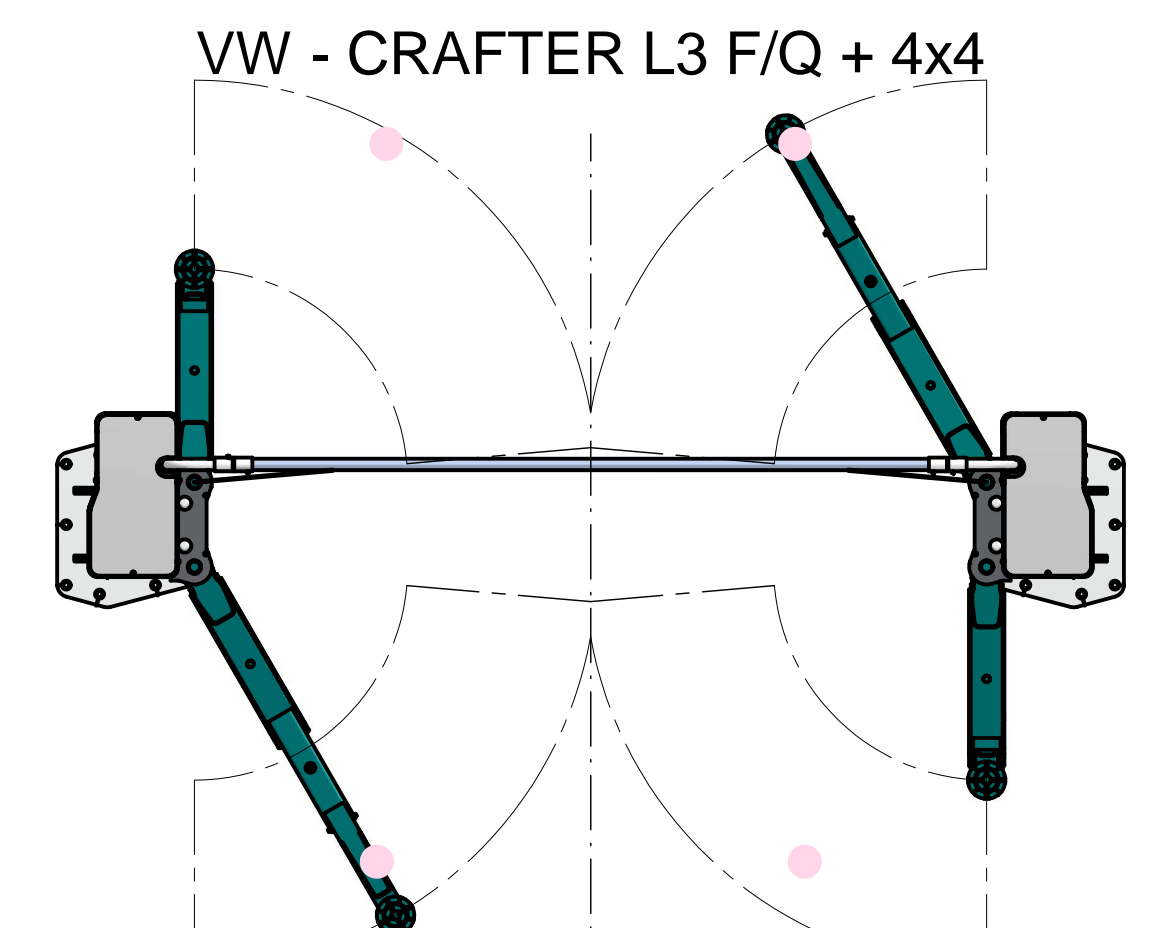
TESLA - MODEL X



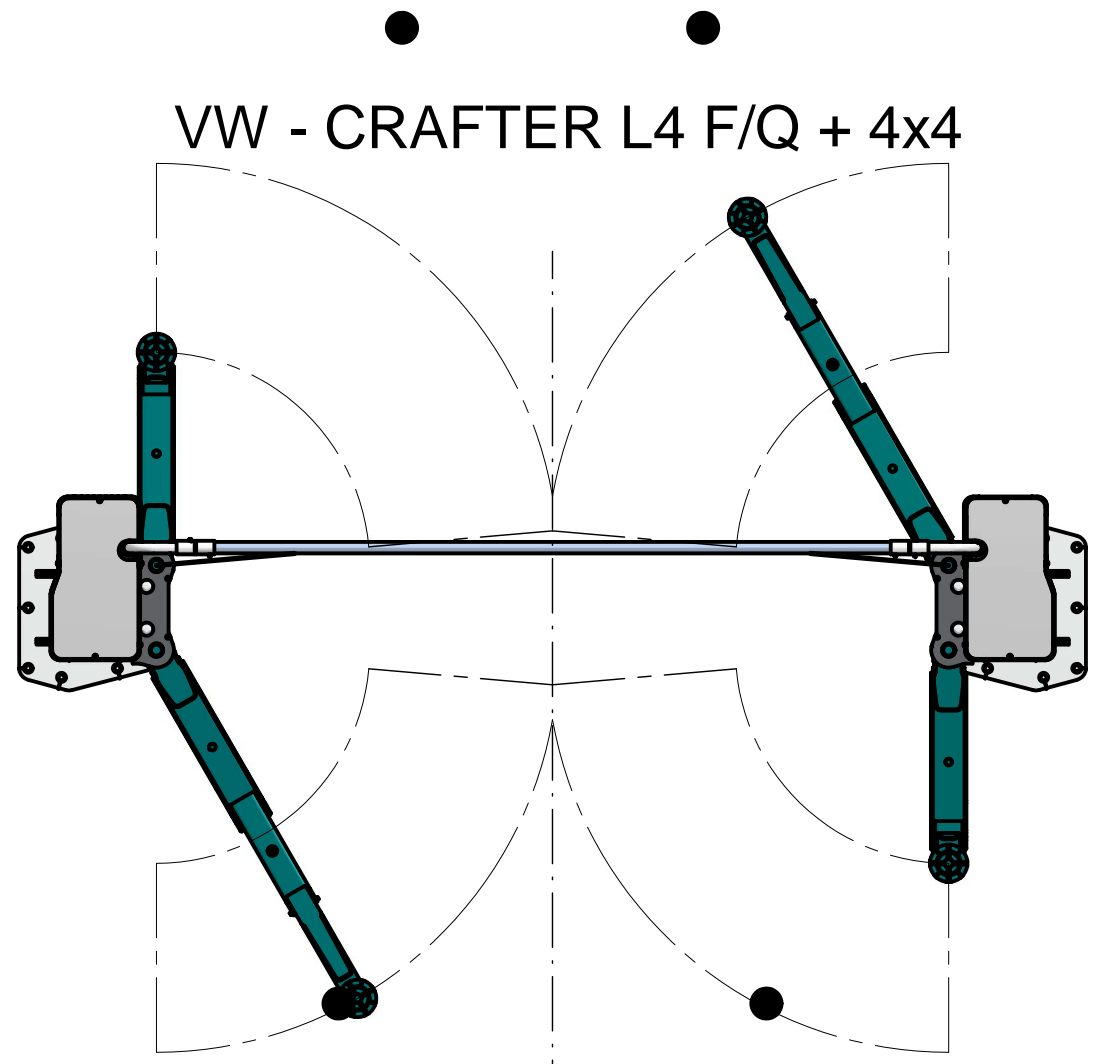
RENAULT - ZOE



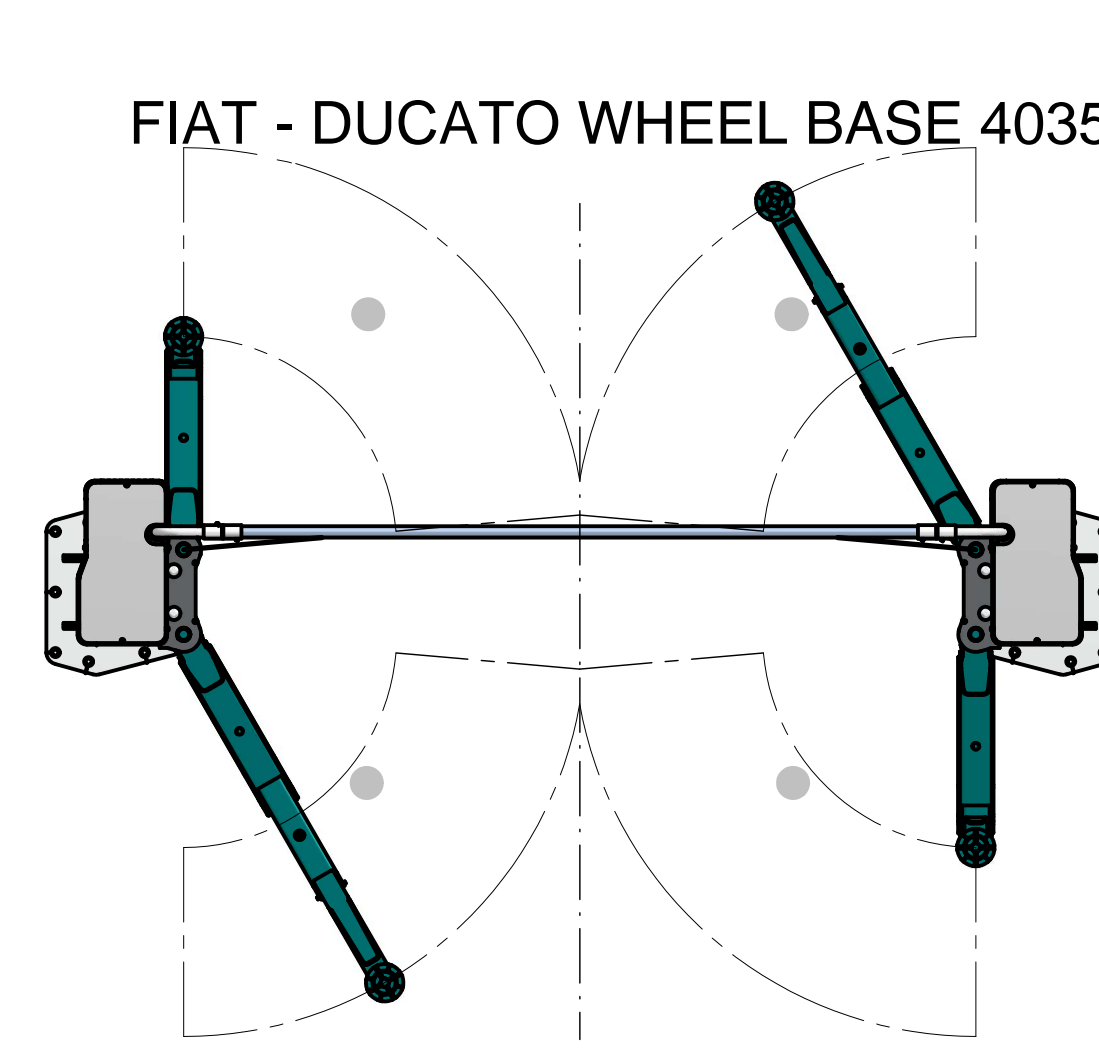
RENAULT - CLIO



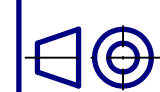
VW - CRAFTER L3 F/Q + 4x4



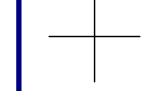
VW - CRAFTER L4 F/Q + 4x4



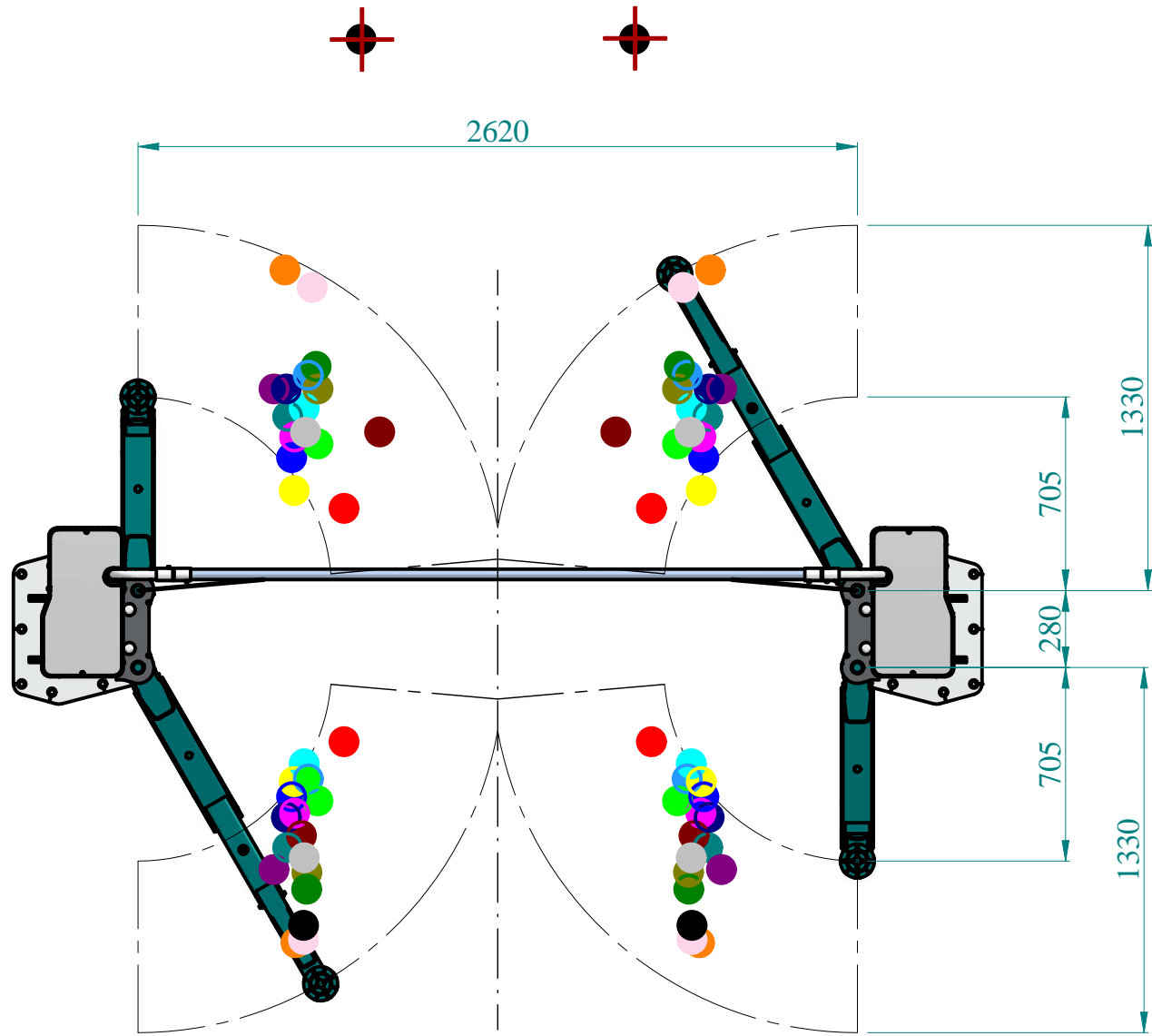
FIAT - DUCATO WHEEL BASE 4035mm



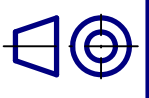
UNLESS OTHERWISE SPECIFIED
 GENERAL TOLERANCE: UNI EN 22768-1mk
 DIMENSIONS: UNI EN 22768-1mk



PRINTED:



UNLESS OTHERWISE SPECIFIED



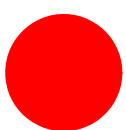
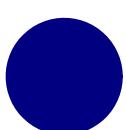
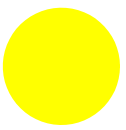

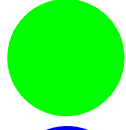

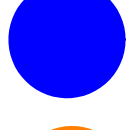
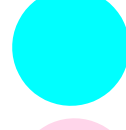
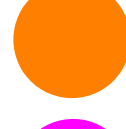

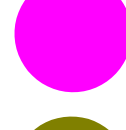



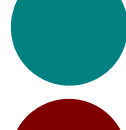
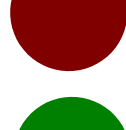

GENERAL TOLERANCE:
UNI EN 22768-mK

RAGGI =

SMUSSI =



PRINTED:

- | | | | |
|---|-------------------------|---|----------------------------------|
|  | SMART |  | AUDI - Q4 ETRON |
|  | BMW - Z4 |  | TESLA - MODEL X |
|  | BMW - i3 |  | RENAULT - ZOE |
|  | BMW - E83 |  | RENAULT - CLIO |
|  | VW - T6 long wheel base |  | VW-CRAFTER L3 F/Q+4x4 |
|  | VW - TIGUAN |  | VW-CRAFTER L4 F/Q+4x4 |
|  | VW - TOUAREG VW |  | FIAT - DUCATO
WHEEL BASE 4035 |
|  | - ID4 | | |
|  | AUDI - A3 | | |
|  | AUDI - Q7 | | |

DESCRIPTION
SPM42-XL - PICK UP MATRIX